

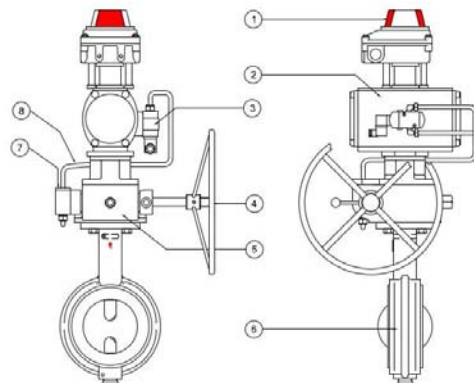
Pneumatic Actuator

Rack & Pinion Design

Manual Override Gearbox (MOR)

Key Features

- Protected against environmental corrosion:
 - Hard anodized aluminium body
 - Electroless Nickel Plated pinion
 - Epoxy coated end caps
 - Stainless steel bolts, studs and nuts
- Spring cartridge holder provides smooth actuation
- Adjustable Open / Close travel stop $90^{\circ} \pm 5^{\circ}$
- MOR-friendly with minimum length of tubing
- Coupling according to ISO 5211 and DIN 3337 (Octagonal drive)
- Cost effective long life without maintenance



TASARO SINGAPORE PTE LTD

1 Bukit Batok Crescent, #03-55 WCEGA Plaza, Singapore 658064

Phone: 65-6570-8284 | Fax: 65-6570-8286 | E-mail: info@tasaro.com